

# Technical Data Sheet

## HAGULIT<sup>®</sup> Riser pipe (flange)



### Product description:

Traditional riser pipe with flange connection according to DIN 4927, with welding neck flange DIN 2633 on both ends, with two cable passages

### Product properties:

- Material: Steel with HAGULIT<sup>®</sup> coating
- Construction lengths: 1-5 m
- Connection type: Flange connector
- Pressure rating: PN 16

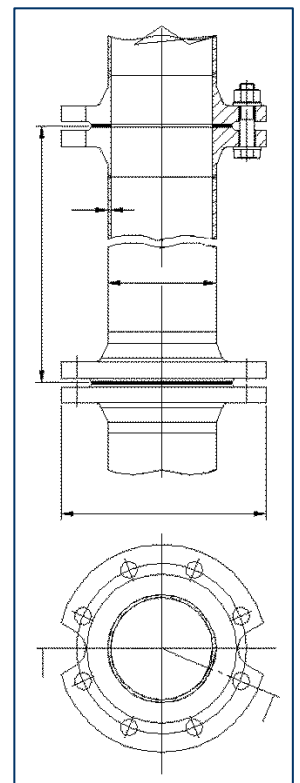
### Advantages of the product:

- Reliability



### Versions:

Nominal width [DN]	Wall thickness [mm]	Outer pipe Ø [mm]	Outer flange Ø [mm]	Ø k [mm]
50	2.3	60.3	165	125
65	2.6	76.1	185	145
80	2.9	88.9	200	160
100	3.2	114.3	220	180
125	3.6	139.7	250	210
150	4.0	168.3	285	240
200	4.5	219.1	340	295
250	5.0	273.0	405	355



### Weight [kg]:

Nominal width [DN]	1.0 m	2.0 m	3.0 m	4.0 m	5.0 m
50	8.7	12.3	15.9	19.5	23.2
65	10.7	15.3	20.0	24.6	29.2
80	13.9	20.3	26.8	33.2	39.7
100	18.1	27.0	35.9	44.8	53.7
125	24.9	37.1	49.4	61.7	74.0
150	31.9	48.3	64.7	81.1	97.5
200	48.8	75.6	102.4	129.2	156.0
250	64.7	98.2	131.7	165.2	198.7